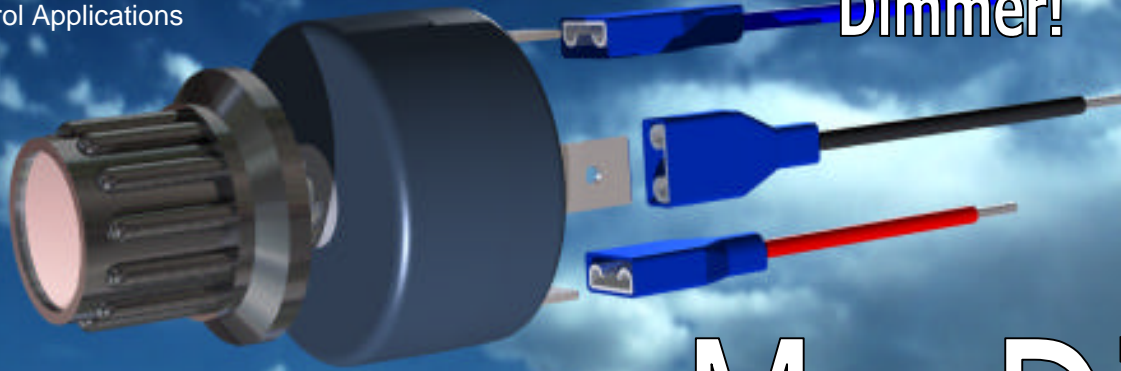


- Aircraft Cabin Lighting
- Incandescent & LED
- Instrument Panels
- Hundreds of DC Lighting Control Applications

# The Complete Compact, Light Weight, Powerful, Solid State Dimmer!



# MaxDim

5-35 VDC 0-12.5 A  
Control 440 Watts Max In a  
1-1/4 INCH DIA PACKAGE



## —SPECIFICATIONS—

**Voltage Range:** 5 to 35VDC

**Max Current:** 12.5 A

**Controlled Output:** 0 to 5/35 VDC 0 to 12.5A

**Capacity:**

- ★ 60 Watts @ 5 VDC
- ★ 50 Watts @ 12 VDC
- ★ 288 Watts @ 24 VDC
- ★ 350 Watts @ 28 VDC
- ★ 440 Watts @ 35 VDC

**Install with Standard Supplied Solderless Crimp Connectors**

**Recommended Wiring Spec:**

**Temperature:** -65° C to 200° C

**Specifications:** MIL-W-16878E/4 Type E

**Conductor:** Silver-plated copper

**Potentiometer Rotation:** 270 Deg,

**Rotational Life:** 500KTurns

**Operating Temperature range:** -20°C to +50°C

**Internal Temperature Protect:** +85 °C

**Storage Temperature:** -40°C to +100°C

**Maximum Internal Temperature:** @12.5A

+15 °C above Ambient.

**Enclosure Material:** Bayer FR 110 Resin

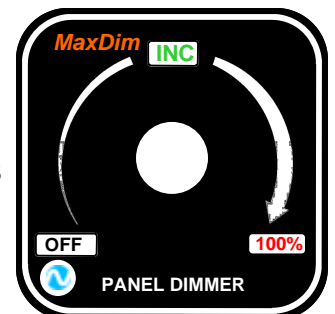
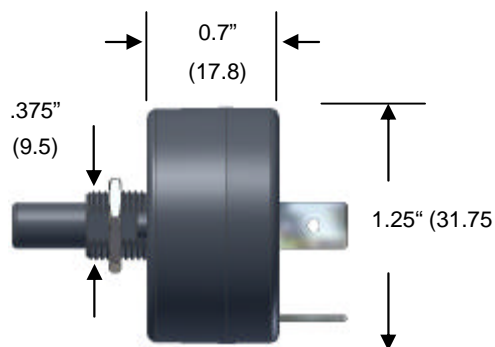
Meets UL 94 Flame Rating: V-2 (0.03in) V-0 (0.059in)

5VB (0.098in) 5VA (0.13in)

**RTCA/DO160E Qualified**

**FAA PMA STC SA01800SE**

**Order: MaxDim P/N 9100-000-A**



**Weight:** 0.58 oz (16.6g)



**Seaton Engineering Corp.**

Spokane Valley, WA 99016

509.928.0633